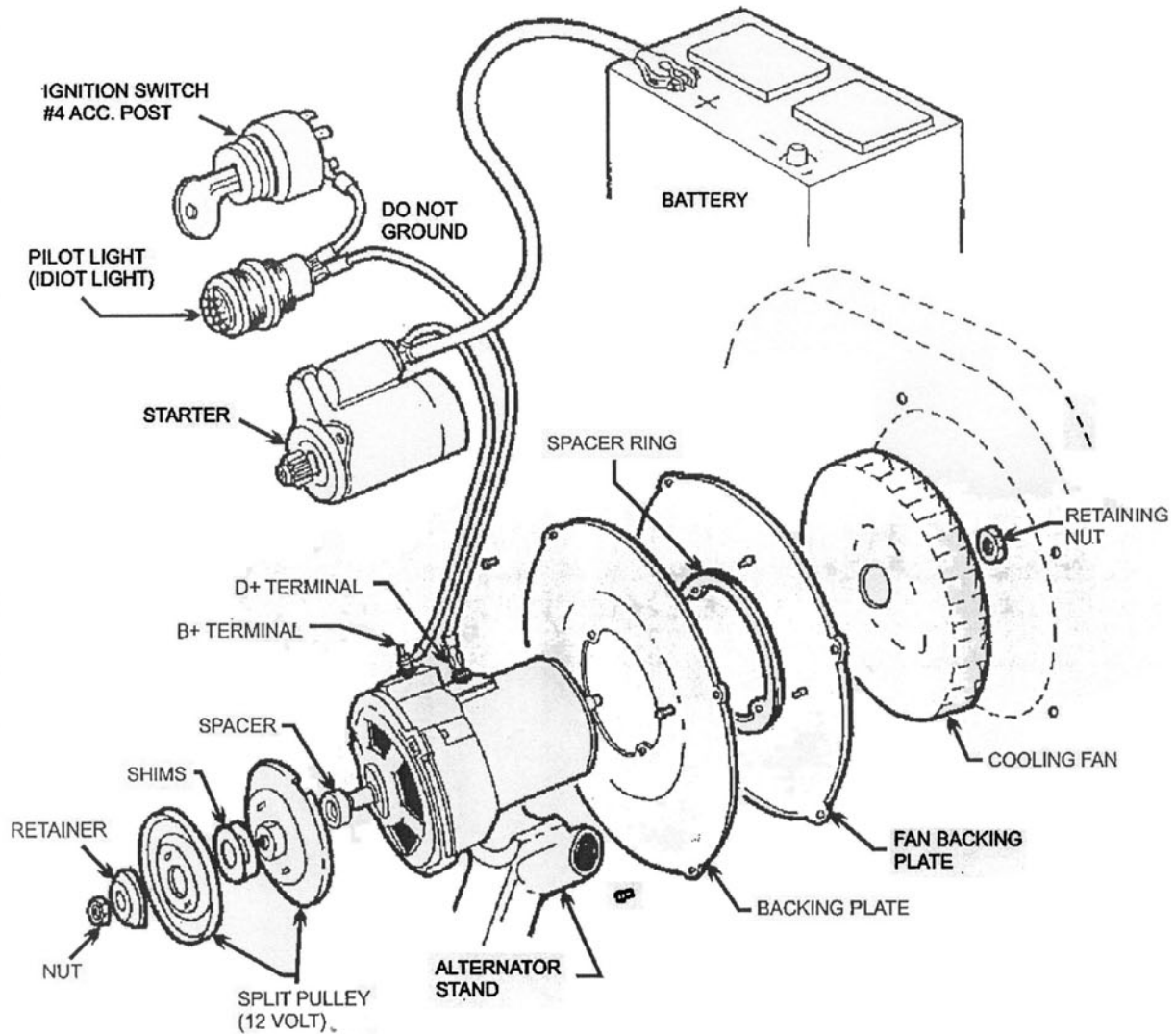


YOUR #1 SOURCE FOR RESTORATION AND PERFORMANCE PARTS FOR ALL AIR-COOLED VOLKSWAGENS

ALTERNATOR WIRING GUIDE



Generator/Alternator swap in a 12 volt car. At the alternator, small green wire to D+, large red wire to B+. Under the rear seat, remove the regulator and splice - small green wire to small blue wire: (generator light), large red wire from alternator to other red wires, (ignition switch lead and + battery lead). Generator dash light must work or alternator will not charge.