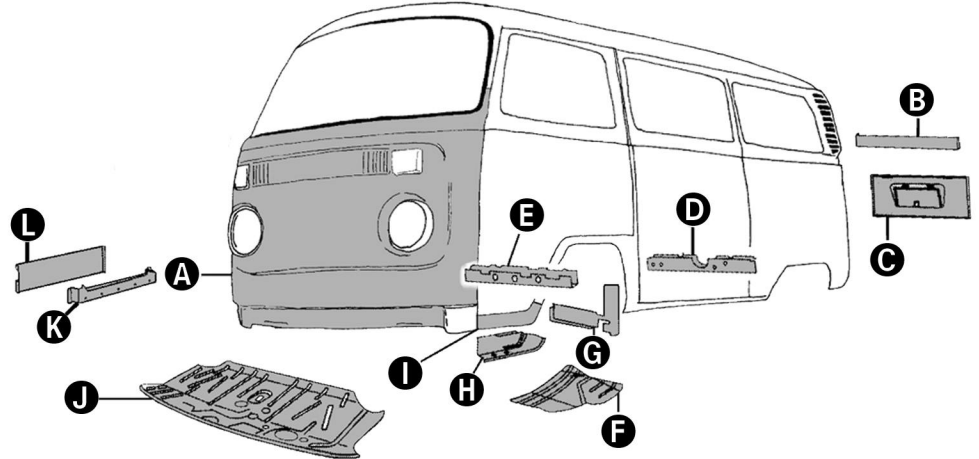
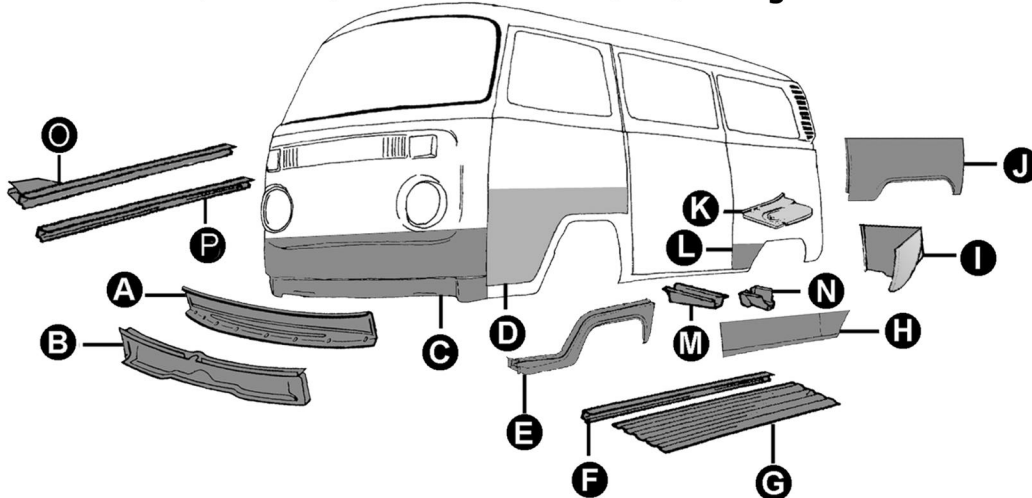


Late Bus 1968 - 1979 Diagram 1

Part Number	Description	Years	
A	VNG-95-56-20-0	Front Nose Panel Complete	73 - 79
B	TAB-402-640	Rear Apron Repair Panel	73 - 79
C	VNG-95-56-71-0	Rear Engine Door	73 - 79
D	VNG-95-55-82-0	Rear Reinforcement Crossmember	68 - 72
D	TAB-402-850	Rear Reinforcement Crossmember	73 - 79
E	VNG-95-55-80-0	Front Reinforcement Crossmember	68 - 72
E	TAB-402-840	Front Reinforcement Crossmember	73 - 79
F	TAB-402-831	Front Outer Floor Section - Left	68 - 72
F	TAB-402-832	Front Outer Floor Section - Right	68 - 72
G	TAB-402-101	Inner Fender Splash Panel - Left	68 - 72
G	TAB-402-102	Inner Fender Splash Panel - Right	68 - 72
H	TAB-402-201	Front Door Step Panel - Left	68 - 72
H	TAB-402-202	Front Door Step Panel - Right	68 - 72
H	TAB-402-251	Front Door Step Panel - Left	73 - 79
H	TAB-402-252	Front Door Step Panel - Right	73 - 79
I	TAB-402-231	Front Wheelhouse Lower Front Section - Left	68 - 72
I	TAB-402-232	Front Wheelhouse Lower Front Section - Right	68 - 72
I	TAB-402-261	Front Wheelhouse Lower Front Section - Left	73 - 79
I	TAB-402-262	Front Wheelhouse Lower Front Section - Right	73 - 79
J	VNG-95-56-74-0	Front Floor Area Complete	73 - 79
K	TAB-402-310	Sliding Door Inner Bottom	68 - 79
L	TAB-402-302	Sliding Door Outer Bottom Section	68 - 79



Late Bus 1968 - 1979 Diagram 2



Part Number	Description	Years	
A	TAB-402-030	Inner Front Lower Panel	68 - 79
B	TAB-402-020	Outer Front Lower Panel	68 - 72
C	TAB-402-010	Nose Panel Lower	68 - 72
D	TAB-402-321	Lower Front Door Skin - Left	68 - 79
D	TAB-402-322	Lower Front Door Skin - Right	68 - 79
E	TAB-402-241	Front Fender Outer Skin Only - Left	68 - 72
E	TAB-402-242	Front Fender Outer Skin Only - Right	68 - 72
E	TAB-402-291	Front Fender Outer Skin Only - Left	73 - 79
E	TAB-402-292	Front Fender Outer Skin Only - Right	73 - 79
E	TAB-402-271	Front Fender Complete Assembly - Left	68 - 72
E	TAB-402-272	Front Fender Complete Assembly - Right	68 - 72
E	TAB-402-281	Front Wheel Arch Complete - Left	73 - 79
E	TAB-402-282	Front Wheel Arch Complete - Right	73 - 79
F	TAB-402-411	Inner Rocker Panel - Weld-in - Left	68 - 79
F	TAB-402-412	Inner Rocker Panel - Weld-in - Right	68 - 79
F	TAB-402-431	Inner Rocker Panel - Slip-in - Left	73 - 79

Part Number	Description	Years	
F	TAB-402-432	Inner Rocker Panel - Slip-in - Right	73 - 79
G	TAB-401-700	Cargo Floor Section - Universal 59"L x 15"W	68 - 79
H	TAB-402-501	Rocker Panel - Left 8"H	68 - 79
I	TAB-402-551	Rear Corner Panel - Left	68 - 71
I	TAB-402-552	Rear Corner Panel - Right	68 - 71
I	TAB-402-561	Rear Corner Panel - Left	72 - 79
I	TAB-402-562	Rear Corner Panel - Right	72 - 79
I	- Call for Info -	Rear Corner Panel - Pick-up - Left	68 - 71
I	- Call for Info -	Rear Corner Panel - Pick-up - Right	68 - 71
I	TAB-402-611	Rear Corner Panel - Pick-up - Left	68 - 74
I	- Call for Info -	Rear Corner Panel - Pick-up - Right	68 - 74
J	TAB-402-511	Rear Fender Sections - Left	Up To - 72
J	TAB-402-512	Rear Fender Sections - Right	Up To - 72
J	TAB-402-591	Rear Fender Sections - Left	73 - 79
J	TAB-402-592	Rear Fender Sections - Right	73 - 79
K	TAB-402-710	Battery Tray - (Not for Pick-up)	68 - 71

Part Number	Description	Years	
K	TAB-402-780	Battery Tray	72 - 79
L	TAB-402-531	Rear Side Panel - Front Section - Left	50 - 72
L	TAB-402-532	Rear Side Panel - Front Section - Right	50 - 72
L	TAB-402-541	Rear Side Panel - Front Section - Left	73 - 79
L	TAB-402-542	Rear Side Panel - Front Section - Right	73 - 79
M	TAB-402-740	Front Outriggers	68 - 79
M	TAB-402-751	Middle Outtrigger - Left	68 - 79
M	TAB-402-752	Middle Outtrigger - Right	68 - 79
M	TAB-402-791	Rear Outtrigger - Left	68 - 79
M	TAB-402-792	Rear Outtrigger - Rear	68 - 79
N	TAB-402-801	Front Jack Supports - Left	68 - 79
N	TAB-402-802	Front Jack Supports - Right	68 - 79
N	TAB-402-811	Rear Jack Supports - Left	68 - 79
N	TAB-402-812	Rear Jack Supports - Right	68 - 79
O	TAB-402-422	Lower Sliding Side Door Railing	68 - 79
P	TAB-402-402	Rocker Panel - Right	68 - 79